

Step 4: Set Right DIP Switches to Proper Positions

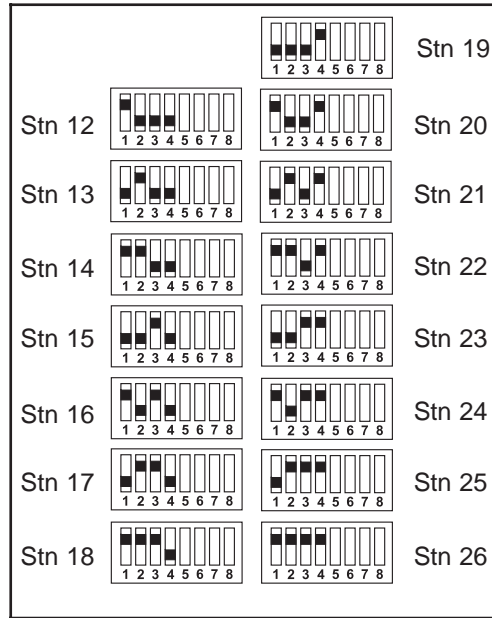
Set Switches 1-4

The setting of these four DIP switches determines what station number your External Cordless Adapter will be set as.

You may choose any station number from 12 to 26. Note that you may not set your External Cordless Adapter as station #11.

Also please note that you must not assign your External Cordless Adapter the same station number as any your phones or other feature modules. IT MUST BE ASSIGNED ITS OWN UNIQUE STATION NUMBER.

Refer to the drawing at right to determine how to set the DIP switches for the station number you choose.



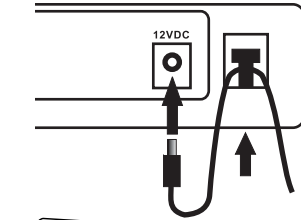
Quick Steps to Installing Your New 810-ECA Adapter

Congratulations on your recent purchase of the 810-ECA adapter. This exciting addition to your *Epic System* is designed for easy installation. The following is a quick reference guide to help you through the initial setup.

Step 5: Connect Power Cord

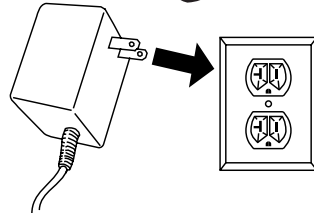
1 Connect Power Cord to Module

Plug the AC power cord into the adapter jack at the rear of the Feature Module. Thread the power cord around the strain relief tab.



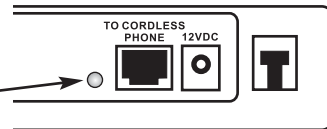
2 Connect Power Cord to Wall Outlet

Plug the AC adapter into an electrical outlet **not controlled by a wall switch**.



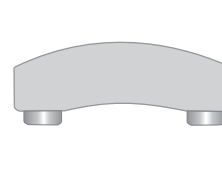
3 Make Sure that Status Indicator Lamp is Blinking

This indicates that the feature module is properly connected to electrical power.



Packing List

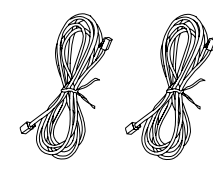
Remove the unit from the package and check this list to be certain all parts are included:



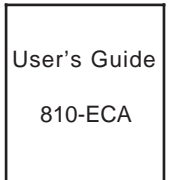
Feature Module



AC Adapter



Two Telephone Line Cords

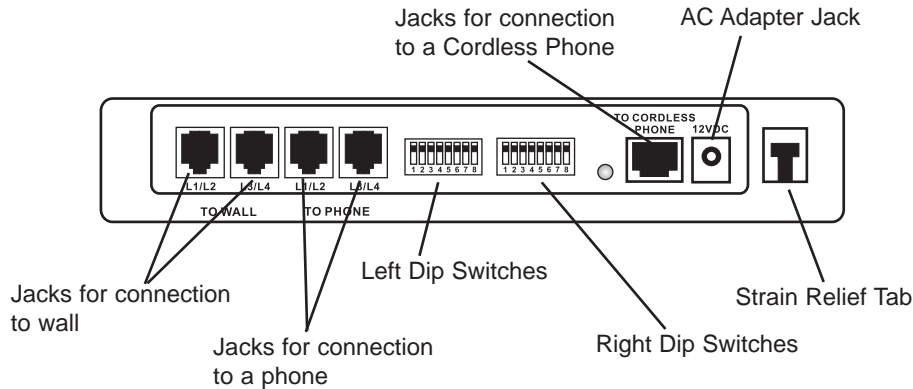


User's Guide
810-ECA

User's Guide

Please reference the "USER'S GUIDE" pages 7 thru 15 for further instructions on "USING YOUR CORDLESS ADAPTER".

Reference Drawing



IMPORTANT NOTE:

These two jacks are designed to allow you to share your feature module with another phone, such as a TMC ET4300. These jacks ARE NOT for connection to the cordless phone.

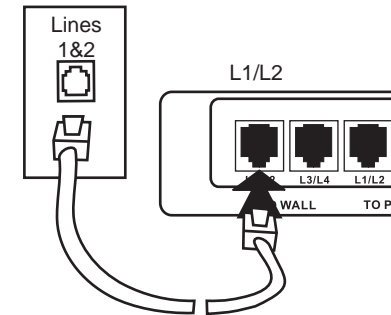
Please connect the base of your single-line cordless phone into the jack labeled "TO CORDLESS PHONE."

Installing Your External Cordless Adapter

Step 1: Connect Line Cords

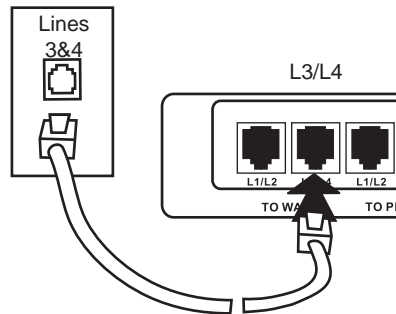
1 Connect First Line Cord

Connect one end of a long telephone line cord to the jack on the back of the feature module labeled L1/L2. Connect the other end to the jack labeled Lines 1 & 2.



2 Connect Second Line Cord

Connect one end of a long telephone line cord to the jack on the back of the feature module labeled L3/L4. Connect the other end to the jack labeled Lines 3 & 4 in the same manner as described in the previous step.



NOTE: If you wish to plug in the module to a jack that is already in use, unplug the existing device from the wall jacks, connect both of the line cords to the module as shown, and then plug the device into the jacks on the module labeled "TO PHONE."

Step 2: Connect Telephone to Adapter

1 Install Cordless Telephone

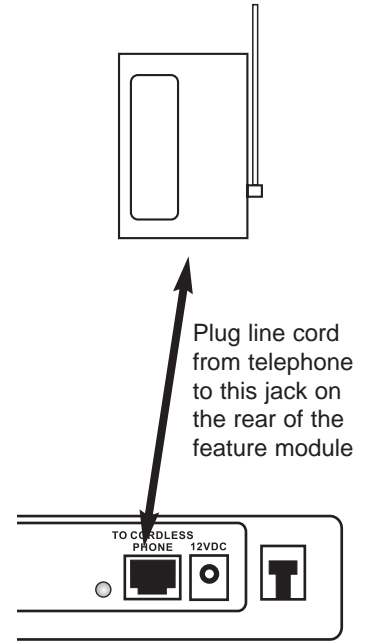
Please follow the installation instructions that came with your cordless telephone.

Note that TMC Corporation does not manufacture cordless telephones. The Cordless Phone Adapter has been designed to be compatible with any standard single-line telephone.

2 Connect Cordless Phone Base to Adapter

Connect one end of the telephone line cord that came with your cordless phone to the jack in the cordless phone base as instructed in the installation instructions that came with you cordless phone, and plug the other end into the jack on the External Cordless Adapter labeled "To Cordless Phone."

Note that you can use any single line device with your Cordless Phone Adapter: it need not be a cordless telephone. It is called a "External Cordless Adapter" because most people use it to provide a cordless extension for their System.



Step 3: Set Left DIP Switches to Proper Positions

Set Switches 1-2

The setting of these two DIP switches determines the ringer setting for line 1. Please refer to the drawing at the right to determine how to set the DIP switches for line 1.

Set Switches 3-8

The setting of these six DIP switches determines the line and ringer settings for lines 2, 3, and 4.

Please refer to the drawing at right for instructions on setting each line. Note that the drawing illustrates setting DIP switches 3-4 for setting line 2. Set DIP switches 5-6 in the same manner to set line 3, and set DIP switches 7-8 in the same manner to get line 4.

